

Church Office  
330-925-2651  
Pastor Alex  
404-447-0273



# JUNE 2026 TIMELY NOTES

Milton Presbyterian  
Church  
250 North Street,  
Rittman, OH 44270  
(330) 925-2651

## Table of Contents:

- Pg. 1 – Important Announcements
- Pg. 2 – Pastor's Note
- Pg. 3 – Church News
- Pg. 4 – MPW, Deacons, Youth, Announcements, & Financial Update
- Pg. 5 – Prayer Concerns
- Pg. 6 – Children's Page
- Pg. 7 – Birthdays & Anniversaries
- Pg. 8 – Calendar



**SUMMER HOURS: WORSHIP 9:30 AM  
BEGINNING JUNE 7**

The Memorial Day Parade on Monday, May 25th begins at 10:30 am, lineup on Erie Street begins at 10:00 am. The parade is followed by a service at the Rittman Cemetery (usually around 11:15 am).

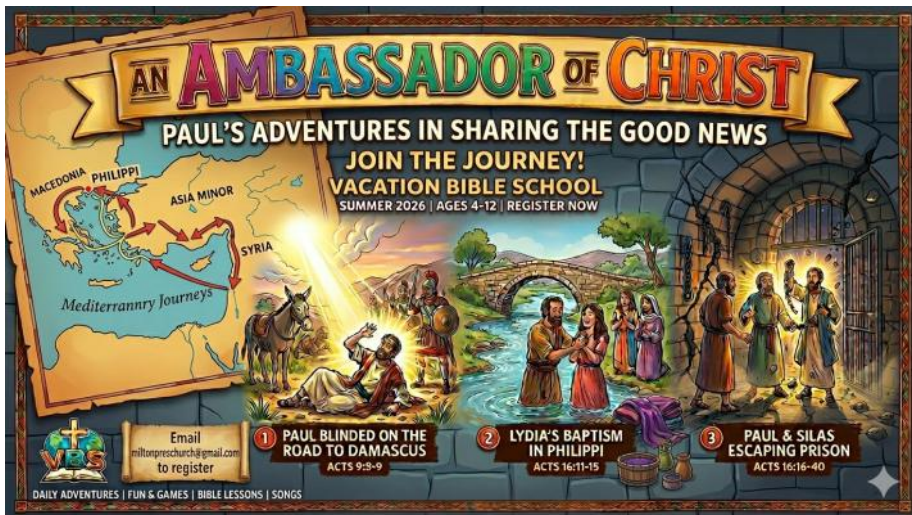


## VACATION BIBLE SCHOOL

**The children will continue the journeys of the Apostle Paul. Get your tickets for an adventure in time and visit places that Paul had been. Ages 4 to 12 welcome.**

Call or email Cindy Mann at the church office to register or volunteer.

Phone: (330) 925-2651 or Email: [miltonprechurch@gmail.com](mailto:miltonprechurch@gmail.com)



**SUN - TUES, JUNE 21 - 23**

**5:30 pm to 7:30 pm**



## Community Meal

Our monthly Community Meal on April 27th, included speakers Dr. Josh Raines, Dr. Mark Meyer, and Administrative Coordinator Kathleen Kostelnick from Faithful Servants Care Center.

Our next Community Meal is on Monday, May 25th which is Memorial Day. We will celebrate the holiday with hamburgers and hotdogs at 6:30 p.m. At 7:00 p.m., Rittman mayor Rudy Arnold will be our speaker.

June's meal is on Monday, June 29th.



As graduations take place across the country and the children of our community take the next step in their lives, there is a verse from scripture that is frequently invoked with great hope and assurance. It comes from the prophet Jeremiah, speaking God's promise of assurance to the children of Israel. So it is written,

*For I know the plans I have for you," declares the LORD, "plans to prosper you and not to harm you, plans to give you hope and a future.*

Just the other day, as we were talking to Ginny about 'graduation', she was excited to get her candy and 'diploma.' There was something absolutely adorable in hearing her little voice pronounce this word from the vocabulary of higher education. I was also taken aback when I thought about how quickly time was passing! I do not remember if preschool graduation was a thing when I was a child, but any moment to celebrate the next step in life is something that I endorse. It was a blessing to see so many families and generations supporting the kids. The aforementioned verse is often invoked because it is a word of hope and understanding about God's promise to prosper—something every person would want.

I am also reminded that this Word was not given to a people in comfort, experiencing the expected rhythms that bring in the next stage of life. This Word came to a people who desperately needed hope as the next generation was graduating not into a place full of hope and prosperity. They were graduating to living a life as exiles—foreigners living in the foreign land of Babylon for the next 70 years. The laws of Babylon were not like the divine law of Israel given to Moses, which demanded that they not mistreat the foreigner living in their land. The people were entering a new land and place where they would be on their own, with only God's promise to lean on.

Often, the most encouraging verses in scripture come out of a time of testing. The apostle Paul writes that 'I can do all things in Christ Jesus who strengthens me' as he endures suffering in prison. God reassures the people of Israel that he has plans to prosper them while they are stuck in Babylon. God's hope is especially strong in those who are suffering for the sake of His kingdom.

The reality is that amidst all of our best laid plans, we too will suffer disappointments and trials that we will not expect. We will re-think our own plans as we are subject to dwell in places and spaces that are different than our expectation envisioned—and that is when we must humble ourselves to God's plan.

Remember that in this promise, God is blessing the people to fulfill his plan, not ours. So he is speaking to the faithful who believe this word—who believe this salvation amidst captivity and in the face of despair. It is written, 'Many are the plans in a person's heart, but it is the Lord's purpose that prevails. (Pv 19:21)' The Lord's purpose is centered on salvation and redemption through Christ Jesus, and the road to that salvation does not always come easily. It also does not come by our own hand through our own plans. This is especially true when things fall apart, when our bodies and minds break down, and when our life circumstances change in unexpected ways. That is why we trust in God's plan first, and pray for the next generation to see and walk in the path of righteousness and hope while living in a world that does not see God's kingdom come. So we believe ever more strongly in God's promise for us to prosper, giving us a hope and future that will last forevermore. Amen.

-Alex

---

# Happy 250 Years!



Rose Darling and Donna Robertson

Thank you Rose Darling for sharing your great talent on the pipe organ on May 3rd. The organ concert was a wonderful way to enjoy the music of the United States over the years. Those who came probably heard songs that they hadn't heard in years. Milton Church would also like to thank Donna Robertson for being our emcee for the program and Teresa Houston who was our wonderful song leader.



Donna Robertson and Teresa Houston

## **Neighborhood Kids Club Bible Study!**

*As we journey with the Apostle Paul in his missionary journeys, we will be learning more about Paul's letter to the Corinthians. The club is geared towards kids ages 4-14. Dinner will be provided—let your friends and neighbors know!*

*In May we explored our neighborhood, much as Paul explored his. June's gathering will be on combined with Vacation Bible School on June 21st.*



Have you ever thought, *I am going to read through the Bible this year ...* but haven't had anyone to join you in this? Well now you can join us in reading at least the New Testament! As a church, we will be reading through the New Testament together over the course of the year. The plan we have been using is the *BibleProject New Testament in a Year* plan in the *youversion* Bible App.

Go to: <https://www.bible.com/en/reading-plans/13233>. Creating an account is free and easy.

Alex has been sending out weekly emails to help keep us on track. If you would like to begin in June, we are reading the Gospel of John.



**ITEMS** are always needed for the pantry. Certain items go very quickly! Currently personal items are needed as are after school snacks, pasta or noodles, instant potatoes, cereal, pasta sauce, canned fruit, peanut butter, canned meat, quick foods like canned stew, and personal hygiene items (especially shampoo, toothpaste, bar soap, and feminine hygiene products), dish soap and laundry detergent.

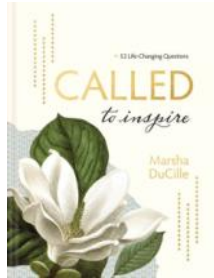


### MILTON PRESBYTERIAN WOMEN

#### CIRCLE MEETING

MPW will be taking a break over the summer. Our next gathering for a study will be in September. The book that we used this past year "Called to Inspire" by Marsha DuCille will continue to be used.

If you are interested in coming to meetings please let Kim Hart know. Her telephone number is 330 612-3302. Study books are available in the church office.



***Please help us pay down the boiler and roof funds!***

#### **FINANCIAL UPDATE**

##### Summary of April 2026 Revenue & Expenses

Income April	\$ 7,268
HeadStart Fees	<u>+2,400</u>
	\$ 9,668
Expenses from April	<u>\$ - 12,401</u>
April Net Income/Expense	<u>\$ - 2,733</u>
<u>2026 Net Income/Expense</u>	\$ 2,984

**Boiler Monthly Donations are \$375**  
**Balance of Lance Fund Boiler loan: \$ 8156**  
**Roof Monthly Donations are \$170**  
**Balance of Lance Fund Roof loan: \$ 28,164**

*Thank you for all your donations!*

Electronic giving services powered by Presbyterian Foundation.



**Presbyterian Women USA thanks all who were able to donate money for the Birthday Offering. This money will be used on special project grants — one such grant being in Findlay, Ohio at the Women and Children’s Crisis Shelter. Our church members were able to send \$227.**

The next **Youth JAM**—our combined youth group for kids in MS/HS will be meeting at Milton Presbyterian Church at 6:00 p.m. on Sunday, Sept. 6.

The Youth JAM (Jesus Alive Ministry) is our combined youth group with other Presbyterian Churches in our area. All middle school and high school age kids are invited to participate!

If you would like to help with setup or help prepare the meal for a group of hungry teenagers, please let Rev. Barnes know at (404) 447-0273.



Adult Sunday School will be on "vacation" over the summer.



The Tuesday Bible Study will continue to meet at 2:00 p.m. in the library. The bible study will follow along our reading of the New Testament over the course of the year.

Junior Church will be going through the Book of Acts.

**Our Mission Statement:**

*Believing in one Lord, one faith, and one baptism, the Milton Presbyterian Church, as the Body of Christ, will carry out the ministry of Jesus within the congregation, within our community, and to the world.*

*To accomplish this mission we will:*

*\*Experience God's presence through worship, prayer, Bible study, the sacraments, fellowship, and service;*

*\*Demonstrate our Savior's compassion through our daily lives to those in need;*

*\*Give our time, our talents, and our material possessions to serve and glorify God .*

*\*Share the Good News of Jesus Christ by word and deed to all the world.*

*Moved by the Holy Spirit, our mission as a congregation of forgiven and loved disciples will be carried out in the Name of Christ.*

**OPPORTUNITY!** On Thursday, June 4<sup>th</sup> from 6-8 p.m., Matt Skolnik, our general presbyter, will lead/facilitate "A time of encouragement, prayer, community, and questions" for our nearby churches. This will be held at the Seville Presbyterian Church. This time is a chance for other churches in similar towns to hear what each church is doing in ministry and mission. If you would want to attend, please let Donna Robertson know so she may let Seville Presbyterian Church know how many may be attending. Her cell phone number is 330-241-9932.

**New Address:**

**Allan Mackey**  
**20837 White Stone Rd.**  
**Marysville. OH 43040**



**Congratulations Allan, on purchasing your first house!**

***\*Please remember our church family members in nursing or assisted living homes:***

- Dorothy Johnson, Faye Telford - Apostolic Christian Homes, (10680 Steiner Rd., Rittman, OH)**
- Sally Barnes - Village of St. Edwards, (880 Main St., Wadsworth, OH 44281)**
- Judy Twinem - Heritage Crossing (251 Cleveland-Massillon Rd., Montrose, OH 44333)**
- Jim Davis - Autumnwood Nursing & Rehab (275 E. Sunset Ave., Rittman, OH 44270)**
- Rev. Jim and Joan Watt - Story Point (629 N. Huntington St., Apt. 2742, Medina, OH 44256)**

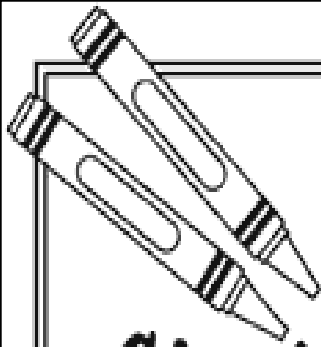


**Karen Aberegg, Dale Alexander, *Linda Beckstein*, Jonathan Bonilla, Josue Bonilla, Charlie Brandes, Courtney Breece, Levi Buxman, Sandy Calvert, Jan Champa, Thelma Chapman, Marie Cole, Tanya Coleman, Mike & Mandii Cramer, Lesa Crawford, Jim Davis, Marilyn Dlesk, Nicholas Dras, Deb Easterday, Jordan Edgar, Scott Erwin, Anne Fischer, Lonnie Fletcher, *Wilfred Ford*, Debbie Fortunot, Donnie Foutty, Patrick Gable, Veronica Hughes, Cathy Imhoff, Madi Jackson, Dorothy Johnson, Debbie Keel, *Donald "Skip" Kiene*, Kevin and Linda Lampar, Abbey Lentine, Chad Lightner, Sophia Lightner, Bill Loebick, Bob Ludolph, Don and Martha McDonald, Joshue Makaryk, Charles Mann, Keith Marsden, Gemma Matthews, Erin McGorry, Sherri Miglio, PJ Miller, Kristen Morris, Corey Mullinax, John Musgrave, Denise Neeley, Tom Niehaus, Joyce Nichols, Charlie Owen, Dale Owen, Bob and Sue Plank, Ethan Porter, Sally Porter, Ron and Sue Price, Linda and Geoff Pyle, John Ramsier, Roger Ramsier, Sue Ramsey, *Matt Reid*, Jim Roberts, Dave Rogers, Chris Rufener, Linda Rutter, Emily Mann Schott, *Joanna Shankland*, Colleen Sheppard, Betty Shreve, Sarah Shreve, David Simpson, Rick Singleton, Jim Skolnik, Paul Sparkman, Verns Steele, Debbie Steiner, Todd Stephan, Ginger Stucky, John Swarzentruuber, Doris Taylor, Phyllis Teter, Ella Thomas, Kelly and Holly Thomas, Bill Timmons, Judy Twinem, Tim Van Arsdale**

(Howie Ryder and Barbara Bartholomew were taken off because they are better! Keep on praying.)

*\*Italicized are recent additions.*

# Children's Activity



## Just for **KIDS**

### Give to those in need

John the Baptist spoke to a crowd, telling them they should be fruitful. When the crowd asked how they could be fruitful, John the Baptist responded with some specific ideas.

Unscramble John the Baptist's reply from Luke 3:11 (NIV), and write the words in the blanks below.

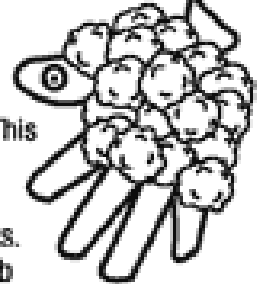
#### \* WORD BANK \*

with food him who should with man share do the should  
two tunics has the who none and one the same has



Answer: "The man with two tunics should share with him who has none, and the one who has food should do the same." (Luke 3:11, NIV)

## Lamb Mission Bank



God can do great things with our gifts. This craft reminds us that every little coin counts. When your lamb is full, empty out the coins and give them to a charity or church mission program.

#### What you need:

- Knit glove (black or white)
- 1-foot-long piece of thin ribbon, any color
- Stapler
- Craft glue or hot glue gun
- Fiberfill or cotton balls
- 2 googly eyes

#### What you do:

1. Staple one end of the ribbon to the inside of each side of the glove's opening to make a hanger.
2. For the lamb's body, cover the palm and half of the thumb with glue. Stick the fiberfill or cotton balls onto the glue.
3. Glue a googly eye to each side of the mitten's thumb. (The other fingers will be the legs.)
4. Hang the lamb where you'll see it often. Whenever you have extra change, drop it into your lamb bag.



# June 2026



## Birthdays

- 2 Justine Brandes, Ron Hart II,  
Hal Leach
- 3 Duke Wilson
- 4 Virginia Barnes
- 6 Hunter Shreve
- 10 Faye Telford
- 11 Sarah Knight, Linda Lampar
- 12 Jim Davis
- 13 LaVonne Silva
- 16 Jordan Breece, Matt Cristino,  
Carter Cristino
- 20 Dennis Wilson
- 24 Scott Kammer
- 27 Maxwell Millan

## Flower Schedule

- 7 Cindy & Ken Mann
- 14 Justine Brandes
- 21 Nancy & Hal Leach
- 28 Sheri & Mark Wachtel

## Meeting Dates

- Worship & Music - Mon. June 1 at 9:30 a.m.
- Building & Grounds - Thurs., June 4 at 6:30 p.m.
- Session Meeting - TBA

## Anniversaries

- 3 Bill & Linda Crawford 59 years
- 14 Ron & Kim Hart 40 years
- 22 Bill & Donna Robertson 52 years
- 22 Brittany (Aberegg) & Thomas Parsons  
2 year
- 27 Nate & Lindsey Millan 17 years
- 28 John & Juliee Saunders 40 years
- 28 Rich & Vickie Schumacher 23 years

## Jr. Church Schedule

- 7 Kelly Hartshorn & Lindsey Millan
- 14 Angel Mackey & Elena Swartzentruber
- 21 Renee Busic & Cindy Mann
- 28 Andrea Barnes & Vickie Schumacher

## Liturgist Schedule

- 7 Cindy Mann
- 14 Renee Busic
- 21 Jesse Hunt
- 28 Donna Robertson

**If you would like to help provide flowers, handle the liturgical reading or help with Jr. Church, church events, or coffee hour, please contact the office at 330-925-2651.**



# June 2026



Sun	Mon	Tue	Wed	Thu	Fri	Sat
	1	2	3	4 9:30 am Worship & Music (Library)  6:30 pm Building and Grounds (Library)	5	6
7 9:00 am Choral Practice 9:30 am Worship	8	9 2:00 pm - Bible Study (Library)	10	11	12	13
14 9:00 am Choral Practice 9:30 am Worship   Flag Day	15	16 2:00 pm - Bible Study (Library)	17	18 6:00 pm Cub Pack Meeting (FH)	19	20
21 9:00 am Choral Practice 9:30 am Worship    <div style="border: 1px solid black; background-color: #ADD8E6; padding: 5px; text-align: center;"><b>Vacation Bible School</b> <b>5:30 pm—7:30pm</b></div>	22	23 2:00 pm - Bible Study (Library)	24 6:00 - 8:00 pm Free Laundry Day at laundromat	25	26	27
28 9:00 am Choral Practice 9:30 am Worship	29 6:30 pm - Community Meal (F.H.) 7:00 pm -	30 2:00 pm - Bible Study (Library)				

Milton Presbyterian Church — 250 North Street, Rittman, OH 44270 — (330) 925-2651

Visit us at: [www.miltonpreschurch.org](http://www.miltonpreschurch.org)